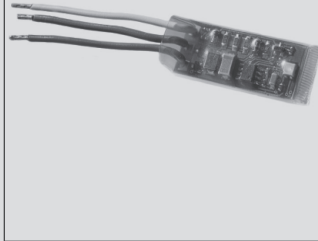


ACCESSORIES

Main control unit

M-COM



Application

Configuration module for automatic configuration and surveillance of max. 4 opening drives / 2 locking drives version S12/ S3 in synchronised multi-drive systems

Rated voltage:
24 V DC (19 V ... 28 V)
Current consumption: <12 mA
Drive type: S12

Part.-No. 524177

Protection rating
IP30 rubber envelope
Ambient temperature range
0 °C ... + 70 °C
Dimensions
45 x 17 x 6 mm
Connecting wires
3 wires 0,5 mm² x 50 mm
Feature/Equipment
Printed circuit board with components and connection wires to be installed in connection box to be supplied on site

M-COM® Click



Application

Configuration module for automatic configuration and surveillance of max. 4 opening drives / 2 locking drives version S12/ S3 in synchronised multi-drive systems

Rated voltage:
24 V DC (19 V ... 28 V)
Current consumption: <12 mA
Drive type: S12

Part.-No. 524167

Protection rating
IP30
Ambient temperature range:
-5 °C ... +70 °C
Dimensions:
40 x 26 x 15 mm
Connection:
for **AUMÜLLER** chain drives with **AUMÜLLER-Click plug solution**
Equipment
Tongs for removing the M-COM® Click

Plug solution

AUMÜLLER-Click plug solution



View: 24 V

AUMÜLLER-Click plug solution:

Unified plug solution for all **AUMÜLLER** chain drives and **AUMÜLLER** folding arm drives.

Rated voltage:
24 V DC (19 V ... 28 V)
Connecting cable:
non-halogen, grey
5 x 0,5 mm² (24 V)
6 x 0,75 mm² (230 V)

Terminal: to 1,5 mm²

Feature/Equipment

- Flexible cable length
- Connect multiple drives in series connection
- Torsion-plug
- Locking hooks prevent withdrawal of the plug under tensile load
- Strain relief according DIN EN 60335-1 by screwing the housing halves

VARIANTS: 24 V

3 m cable length - 24 V DC	Part.-No. 501251		
5 m cable length - 24 V DC	Part.-No. 501252		
10 m cable length - 24 V DC	Part.-No. 501253		

VARIANTS: 230 V

3 m cable length - 230 V AC	Part.-No. 501273		
5 m cable length - 230 V AC	Part.-No. 501275		
10 m cable length - 230 V AC	Part.-No. 501280		

ACCESSORIES

Feedback module

RM-E



Application

Control module for feedback signal of end positions OPEN/ CLOSE from one ore more drives type S3/S12 via a potential-free changeover contact. Connection and power supply into/by the drive line

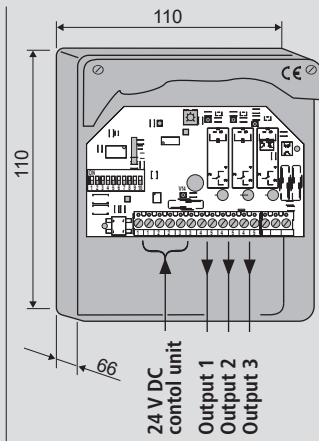
Rated voltage:
24V DC (19 V ... 28 V)
Current consumption: < 5 mA
Drive type: S3, S12

Part.-No. 500158

Protection rating
IP 54
Ambient temperature range
0 °C ... + 70 °C
Surf. mount. plastic housing
94 x 94 x 42 mm
Feature/Equipment
Evaluation of end positions due to the communication wire of drives type S3/S12

Control module

USKM



Application

Control module with 3 outputs and individual settuble cut-off current, monitored motion run, delayed sequence control.
Functions: Motion-monitoring up to 3 drives, 2 sequential controls

Rated voltage:
24V DC (19 V ... 28 V)
Close circiut current : < 50 mA
Connections:
max. 3 drives; s < 300 mm

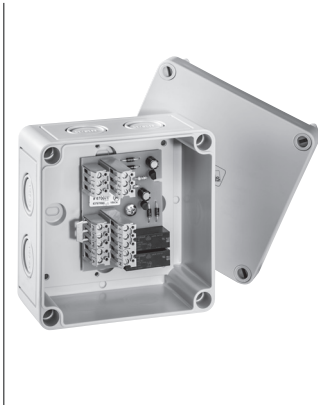
Part.-No. 512140

Rated current per drive
max. 2,5 A
Drive type
S1, S2, S3, S12, FV1, OFV1
Protection rating
IP 54
Ambient temperature range
0 °C ... + 70 °C
Surf. mount. plastic housing
110 x 110 x 66 mm
Feature/Equipment
DIP-Switches for settings, connection terminals: 2,5 mm²

ACCESSORIES

Relay Interface

TRM



Application

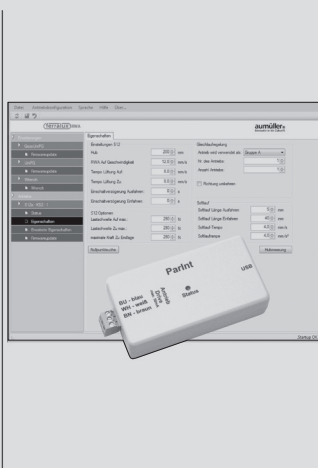
Really interface for connection of 230 V AC drives to a 24 V DC motor line. Control by changing the polarity of the 24 V DC power supply

Rated voltage:
24V DC (19 V ... 28 V)
Close circuit current: < 100 mA
Connections:
1 drive group

Part.-No. 670071

Current per drive group
230 V AC max. 3,0 A
Drive type
S2, S3, S12, MP
Protection rating
IP 54
Ambient temperature range
0 °C ... + 70 °C
Surf. mount. plastic housing
98 x 98 x 58 mm
Feature/Equipment
Connection terminals
4 mm²

UniPC



Application

Hard- and software for the configuration of drives produced by **AUMÜLLER AUMATIC GmbH**


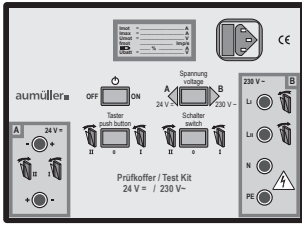
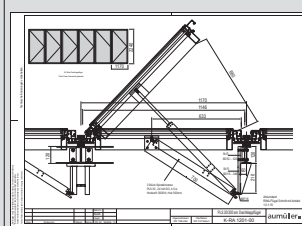
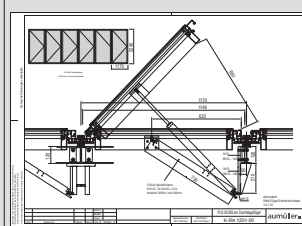
Rated voltage:
24V DC (19 V ... 28 V)
Configurable drives:
24 V DC: S3, S12, S12 V.2
230 V AC: S12, S12 V.2

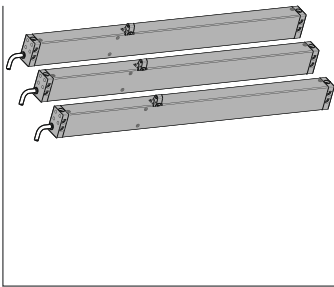
Package contents:
Software UniPC (Download link)
Interface "ParInt"
USB cable
Connection cable
Connections:
3x Pluggable screw terminals
1,0 mm²
USB Port

Part.-No. 524178

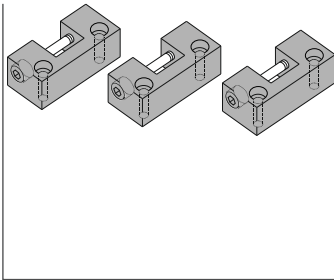
System requiremnts
CPU 1 GHz or faster
OS Microsoft®
Windows 7
Windows 10
RAM min. 512 MB
HDD min. 100 MB empty
Feature/Equipment
Power supply 24 V DC not included!
Software licence for extended settings required!

ACCESSORIES

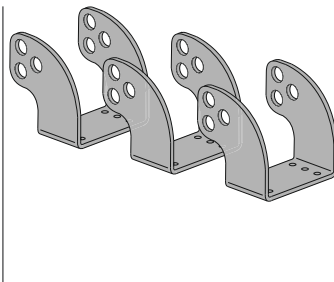
Test kit for drives				
<p>PK</p>  	<p>Application</p> <p>Test kit to check running direction and communication of drives 24 VDC or 230 VA C drives (including batteries)</p> <p>Supply voltage: 230 V AC</p> <p>Drive types: 24 V DC / 230 V AC</p> <p>Drive current: max. 3 A</p>	<p>Part.-No. 533981</p> <p>Display drive current, battery charging</p> <p>Ambient temperature range -5 °C ... + 40 °C</p> <p>Plastic housing 250 x 220 x 210 mm</p> <p>Weight ca. 3,6 kg</p> <p>Feature/Equipment Control elements: 2 switches + 1 push button</p>		
Wiring diagramm				
<p>DL240</p> 	<p>Application</p> <p>Providing of customized installation and wiring diagrams. Price per ventilation/RWA line</p>	<p>Part.-No. 240</p>		
<p>DL241</p> 	<p>Application</p> <p>Providing of customized installation drawings for drives – Draw in of drives in customers' drawings</p>	<p>Part.-No. 241</p>		



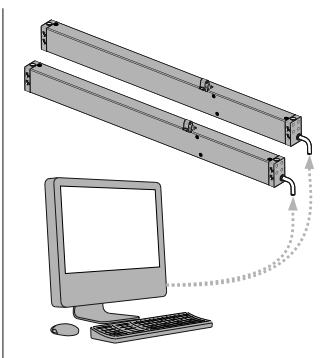
Special model	PU/pcs.	Part.-No.			
Drive housing painted / powder coated in RAL colours					
Lump sum for coating		516030			
Specify at order stage:	1 – 20	516004			
	21 – 50	516004			
	51 – 100	516004			
	from 101	516004			



Special model	PU/pcs.	Part.-No.			
Casement brackets painted/powder coated in RAL colours					
Lump sum for coating		516030			
Specify at order stage:	1 – 20	516032			
	21 – 50	516032			
	51 – 100	516032			
	from 101	516032			



Special model	PU/pcs.	Part.-No.			
Frame brackets painted/powder coated in RAL colours					
Lump sum for coating		516030			
Specify at order stage:	1 – 20	516031			
	21 – 50	516031			
	51 – 100	516031			
	from 101	516031			



Special model	PU/pcs.	Part.-No.			
Microprocessor programming S12					
Programming synchronised multi-drive systems 24 V S3 / S12 (each drive)	1	524182			
Programming synchronised multi-drive systems 230 V S12 (each drive)	1	495588			
Electronic stroke reduction 24 V S12	1	524190			
Electronic stroke reduction 230 V S12	1	495590			
Programming drives 24 V / 230 V S12	1	524180			

Special model	PU/pcs.	Part.-No.			
Mechanic stroke reduction PLA S3					
Stroke reduction without construction length - mechanically	1	516000			

NRWG							
Product	System	Profiles	Opening	Scope	ITT	CoCoP	Valid
Ferralux NRWG 011	Schüco AWS	AWS 50	inw/outw	Facade	11-002647-PR01 (PP-04)	0757-CPR-288-6032781-2-4	2023-07-13
		AWS 60	inw/outw				
		AWS 65	inw/outw				
		AWS 70	inw/outw				
		AWS 75	inw/outw				
		AWS 57RO	outw	Roof	11-002647-PR01 (PP-04)	0757-CPR-288-6032781-8-2	2023-07-13
Ferralux NRWG 050	Forster	Unico	inw/outw	Facade	12-001670-PR01 (PB-03)	0757-CPR-288-0632781-3-4	2023-12-10
Ferralux NRWG 070	Raico	Frame+ 65W	inw/outw	Facade	15-001142-PR02 (PP-02)	0757-CPR-288-6032781-4-4	2023-12-10
		Frame+ 75WE	inw/outw				
		Frame+ 75WA	inw/outw				
		Wing 105D	outw				
		Wing 105D	outw	Roof	15-001142-PR02 (PP-02)	0757-CPR-288-6032781-7-2	2023-12-10
Ferralux NRWG 080	Hueck	Lambda WS 075	inw	Facade	16-002717-PR10 (PP-01)	0757-CPR-288-6032781-9-1	2024-01-29
		Lambda WS 075 IS	inw				
		Lambda WS 075 CD/RD	inw				
		Lambda WS 075 OU	outw				
		Lambda duo90	inw				
		Lambda duo90 IF	inw				
Ferralux NRWG 100	Aliplast	Imperial IP 75	inw/outw	Facade	16-004337-PR12 (PP-02)	0757-CPR-288-6032781-10-1	2021-08-21
		Superial SP 85	inw/outw				
		Ecofutural EF75	inw/outw				
		Star GT 90	inw/outw				

LEGEND:**ITT:** Product / system pass**CoCP:** Certificate of constancy of performances

Since the publication of the harmonized EN 12101-2:2003 „Smoke and heat control systems“ – Part 2: „Specification for Natural Smoke and Heat Exhaust Ventilators“ the NRWGs belongs to those construction products which may be labeled with a „CE“ mark in accordance with the Construction Products Regulation (CPR) if their performance matches the Declaration of Performance (DoP) issued by the manufacturer. On this basis they may be used to the purpose designated by the manufacturer in the DoP if they are required by the construction law as part of smoke and heat exhaust systems.

NRWGs are multi-part complex construction products which are assembled from parts of various contractors of handcraft or industrial services. They basically are manufactured from a casement and a window frame for façade, wall or roof mounting and an electric opening drive, which will ensure the window opening for smoke and heat exhaust in case of fire.

The windows itself are also regulated construction products. Their design and manufacturing have to fulfil the provisions for weathertightness, environmental protection or energy saving measures. The provisions of EN 14351 (windows and doors), EN 13830 (curtain wall facades) and EN 14963 (rooflights) shall be noted.

Window only may be declared as NRWG if opening and locking drives with frame and casement brackets are installed. They must then in addition meet the technical demands and performance classes of EN 12101-2, which only regulates the status of a NRWG as component of a smoke and heat exhaust system not as a part of the facade or roof.

As a result, NRWG must meet all relevant standards for the building envelope, for smoke and heat exhaust systems and possibly the Machinery Directive for power operated windows and doors if the dual purpose for ventilation is used. Deviations from national standard should be noted in the design stage.

AUMÜLLER has tested various representative samples, has established a factory production control system and has got the Declarations of Conformity in accordance with annex ZA to EN 12101-2:2003 from the notified product certification body ift-Rosenheim. Therefore **AUMÜLLER** is a system provider as well as a certified manufacturer of NRWGs.

Prices for licenses, manufacturing and project-specific design of NRWGs on request.